



Carving is Fun

How to Use These Templates

Print out these templates according to the specifications below and place on top of the appropriate size of wood to help you carve the project of your choice.

Printer Specs for Best Results:

Paper Size:

Select the appropriate paper size in your printer settings based on the template dimensions. These templates come in two sizes: letter (8.5 x 11 inches) and A4 (8.3 x 11.7 inches).

This PDF is letter (8.5 x 11 inches)

Orientation:

Make sure your printer paper orientation is set to portrait (vertical) to match the template orientation.

Scaling:

Ensure that the template is printed at its actual size (100% scale) to maintain accurate proportions. Most printers print at "fit to page" by default.

Quality:

Select the print quality setting based on your preferences. These templates will work perfectly using your printer's standard (default) quality.

Page Range:

Specify the pages of the template that you want to print.

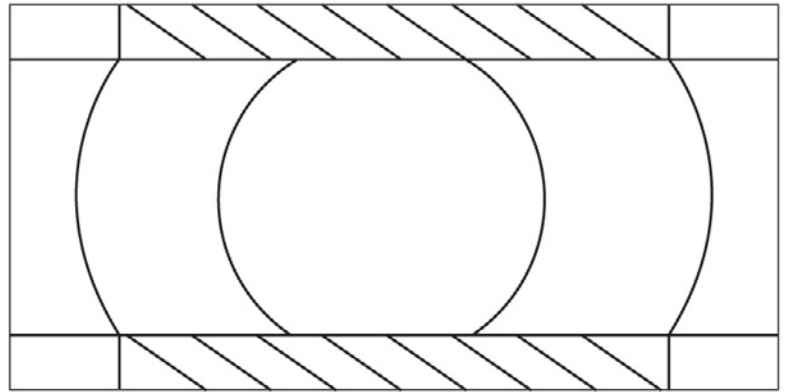
Print Preview:

Before printing, review the print preview to ensure that the template appears as expected and make any necessary adjustments.

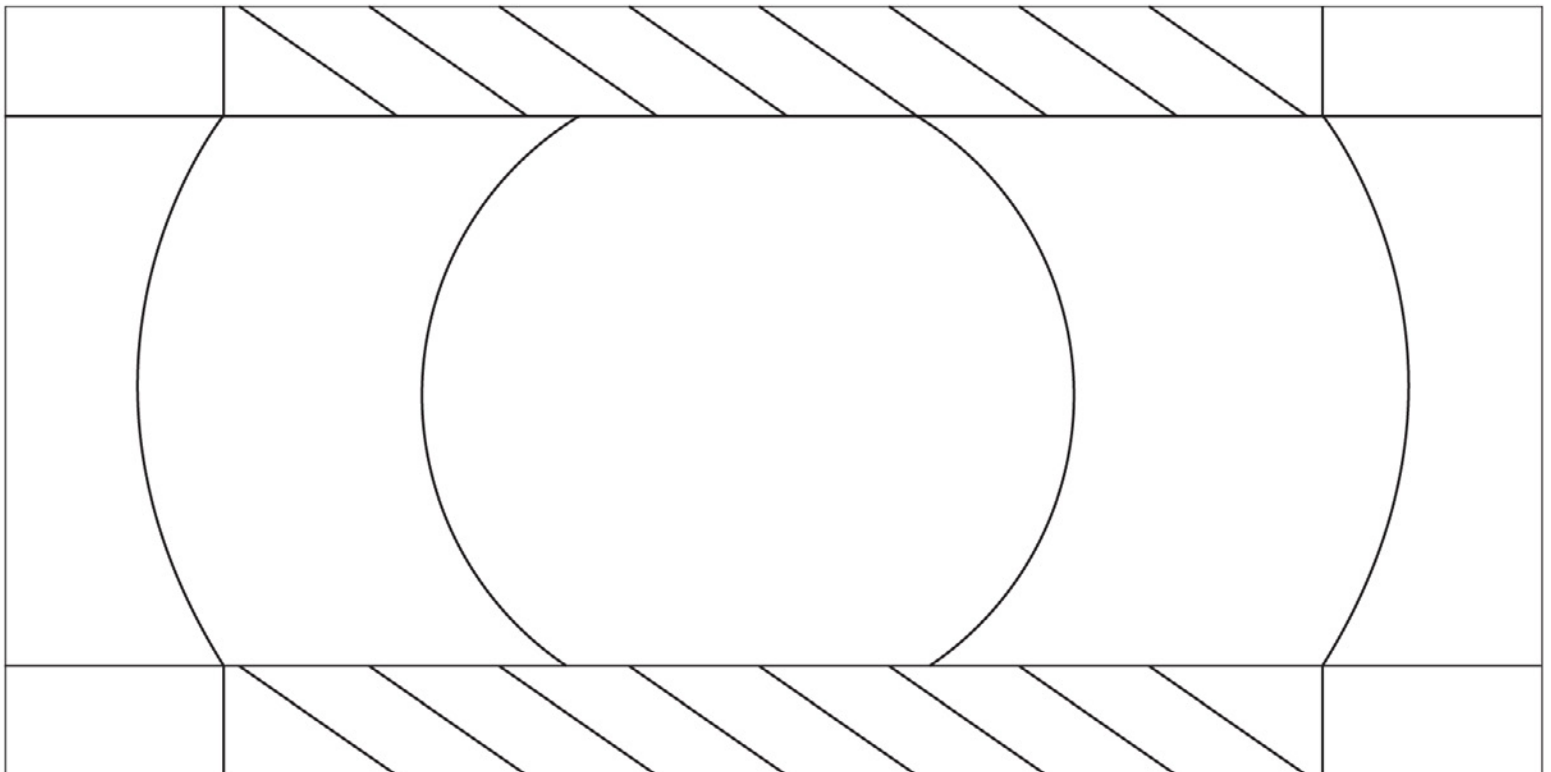


Carving is Fun

BALL IN CAGE



2 x 4 in.



4 x 8 in.